

PRODUCT CODE: MB12B
MALLEABLE CONDUIT BOX

DESCRIPTION

25mm Malleable Intersection Conduit Box

FINISH

Black Enamel

MATERIAL

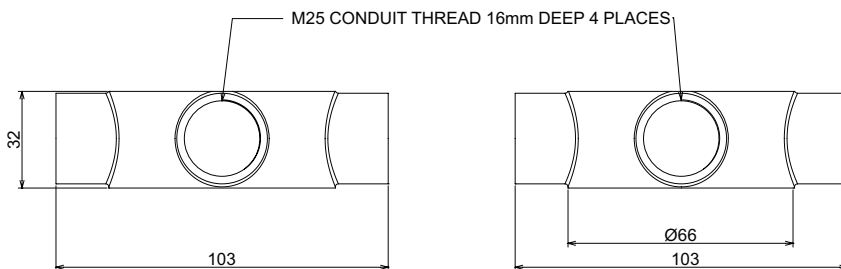
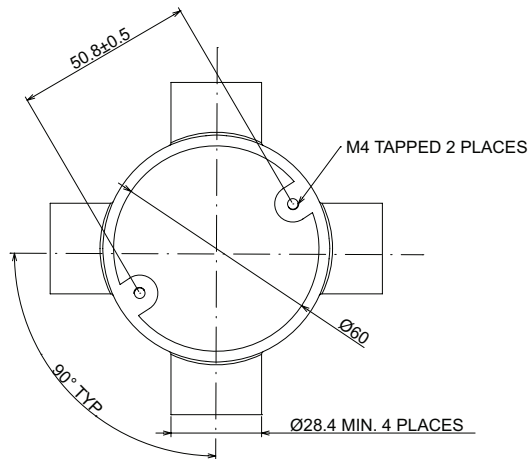
Malleable Iron

PACKAGING

Packed in qty 10

ADDITIONAL NOTES

Conforms to BS EN61386-1:2008
Compliant to LU Standard 1-085 (for use on surface & sub-surface locations)



Ⓢ Values are nominal and with a general tolerance ±5% unless otherwise specified

